

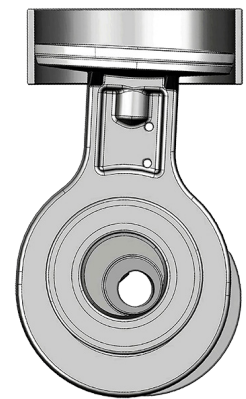
## HP Series Unitary Piston Compressor

TruNorth Compressors and Vacuum Pumps are completely oil-less and come with our relentless commitment to quality, performance and overall service to our customers. Our business mindset is to provide customers exactly what they require. Flexible component and product designs allow for a wide range of customization in flow and pressure performance, input power, port locations, accessories and more!



### FEATURES

- Thin-walled, Hard Coated Anodized Cylinder
- Oil-less, Non-lube PTFE Piston Seal
- Permanently Lubricated Ball Bearings
- Proven "Unitary Piston" Technology
- Balanced Eccentric/Connecting Rod Assembly
- Epoxy E-Coated Wetted Components
- Stainless Steel Valves, Retainers and Screws
- Die Cast Aluminum Components
- Integrated Inlet filter
- High Torque DC Motor
- Dust & Moisture Resistant

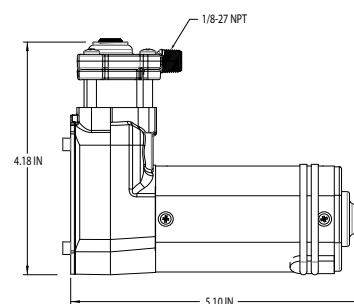
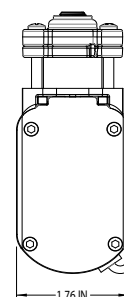
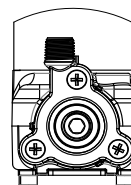


### BENEFITS

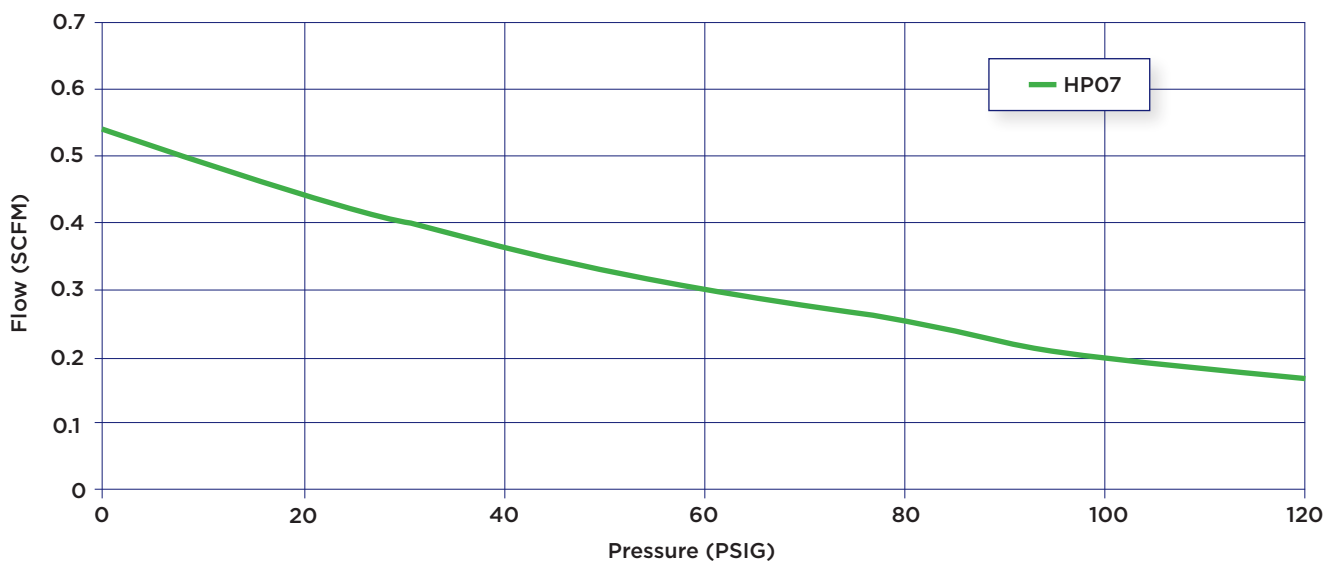
- Long Service Free Life
- Low Vibration & Sound Level
- Corrosion Resistance
- Cool Operating Temperatures
- Restart Against Load

## HP Series Performance Data

Model Number	HP07-AE56
Head Configuration	Pressure Only
Free Air Flow	0.53 SCFM
Max Continuous Pressure	N/A
Max Intermittent Pressure	120 PSIG
Max Restart Pressure	120 PSIG
Max Vacuum	N/A
Max Restart Vacuum	N/A
Max Ambient Air Temp	125° F
Min Ambient Start Temp	-20° F
Motor Voltage/Frequency	115V/60Hz
Motor Type	Permanent Magnet
Current at Rated Load	10.3 Amps
Power at Rated Load	124 Watts
Max Duty Cycle - (Minutes On/Off)	10% (3 on/ 27 off)
Starting Current (Locked Rotor)	32 Amps
Min Full Load Speed	4000 RPM
Thermal Protector	N/A
Net Weight	1.61 lbs.



**Note: All of the compressors & pumps manufactured by TruNorth are very customizable for OEM applications. If you don't see the performance data you're looking for, please contact us at 855-449-7867.**



The information presented in this material is based on technical data and test results of nominal units. It is believed to be accurate and reliable and is offered as an aid to help in the selection of TruNorth products. It is the responsibility of the user to determine if this product is suitable for the intended use. The user assumes all risk and liability whatsoever in connection therewith. TruNorth does not warrant, guarantee or assume any obligation in connection with this information.